



## Product overview



# GCS2 200A/300A Battery Copper Bus Bar Connector

### Features:

- ✓ 1. It has a single-seat seal above IP65 and an assembly state seal above IP65;
- ✓ 2. At the same time provide non-waterproof version (300A connector), optional;
- ✓ 3. The product can realize the installation of two-way copper bars, avoiding unnecessary reinstallation of the direction of the base;
- ✓ 4. It is easy to operate, and the upper cover can be quickly installed by buckling; At the same time, it can be easily and quickly disassembled for easy maintenance;

**Application:** Positive and negative high-voltage links between battery packs in chemical energy storage systems

# SPECIFICATIONS

## Mechanical Performance

Mechanical life	≥20 times (non-violent disassembly and assembly)
Butt connection mode	Bolting

## Environmental Performance

Temperature rise	45k
IP grade	IP65
Temperature level	-40°C ~ +125°C
High temp. exposure	Over 48H
Low temp. exposure	Over 48H
Salt spray level	48H neutral salt spray (exposed part after assembly)

## Electrical performance

Insulation resistance	5000 MΩ (test conditions: temperature <40°C; humidity <50%RH)
Rated voltage	1500V DC max.
Rated current	300A max.
Contact resistance	0.5MΩ max.
Withstand voltage	3000V AC

## Material description

Copper column terminal	Red copper
Shell	Nylon
Seal element	Silicone rubber

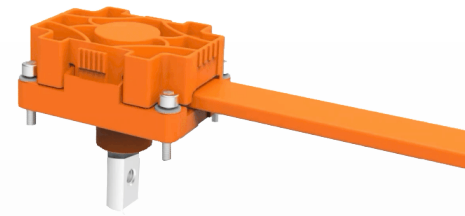


# MODEL NUMBER DESIGNATION

Series name	GCS2	GCS2	-	1	-	C	A	F	-01
Separator	-								
Copper bar	1: width-18mm, thickness-3mm 2: width-20mm, thickness-4mm or 70mm <sup>2</sup> cable								
Separator	-								
Color	C-orange; H-black								
Butt connection mode	A: M6 screw								
Waterproof or not	F: waterproof; Default: non-waterproof								
Remodel code	Default: 1st version, with 90° terminal; 01: remodel, with 180° terminal								



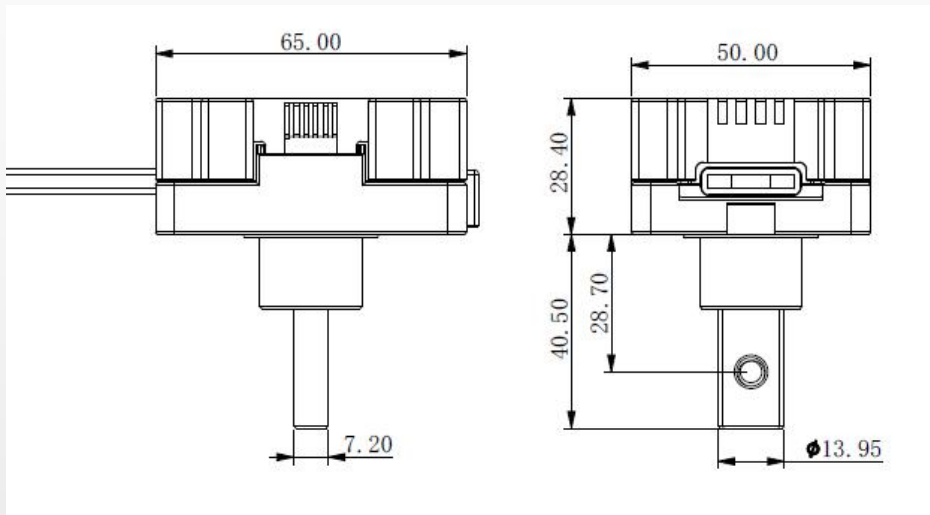
# AVAILABLE MODELS



S/N	Model	Order Part No.	Description	Rated Current	Specification	Temperature Rise
1	GCS2-1-CAF	21G0-00122-1CAF	waterproof, orange, terminal 90°	200A	18mm*3mm bus bar size	45K
2	GCS2-1-HAF	21G0-00122-1HAF	waterproof, black, terminal 90°			
3	GCS2-1-CA	21G0-00122-1CA	non-waterproof, orange, terminal 90°			
4	GCS2-1-HA	21G0-00122-1HA	non-waterproof, black, terminal 90°			
5	GCS2-1-CAF-01	21G0-00124-1CAF	waterproof, orange, terminal 180°			
6	GCS2-1-HAF-01	21G0-00124-1HAF	waterproof, black, terminal 180°			
7	GCS2-2-CA	21G0-00125-CA	Non-waterproof, orange, terminal 90°	300A	20mm*4mm bus bar size / 70mm <sup>2</sup> wire	45K
8	GCS2-2-HA	21G0-00125-HA	Non-waterproof, black, terminal 90°			
9	GCS2-2-CA-01	21G0-00125-CA-01	Non-waterproof, orange, terminal 180°			
10	GCS2-2-HA-01	21G0-00125-HA-01	Non-waterproof, black, terminal 180°			

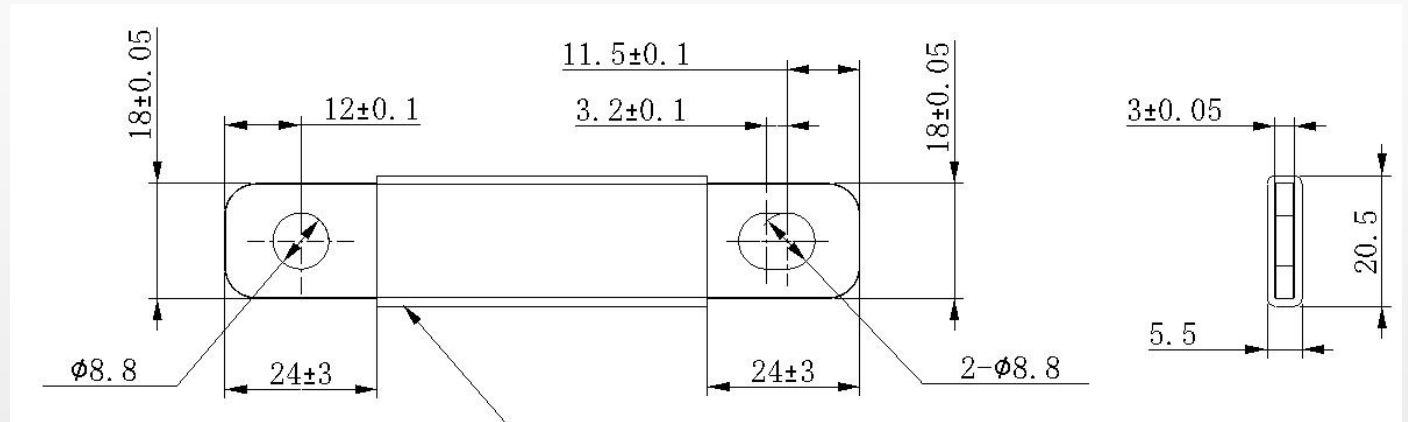
# CONNECTOR DIMENSIONS

## 200A Waterproof Version



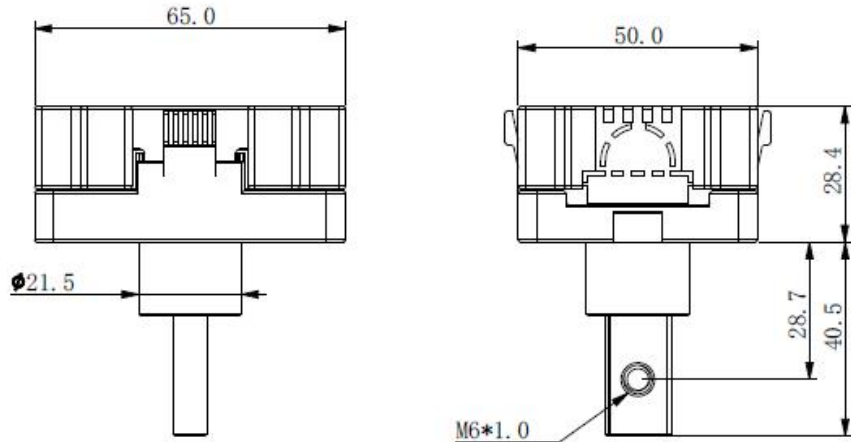
Model: GCS2-1-\*A (terminal 90°)

## Copper Bus Bar Specification

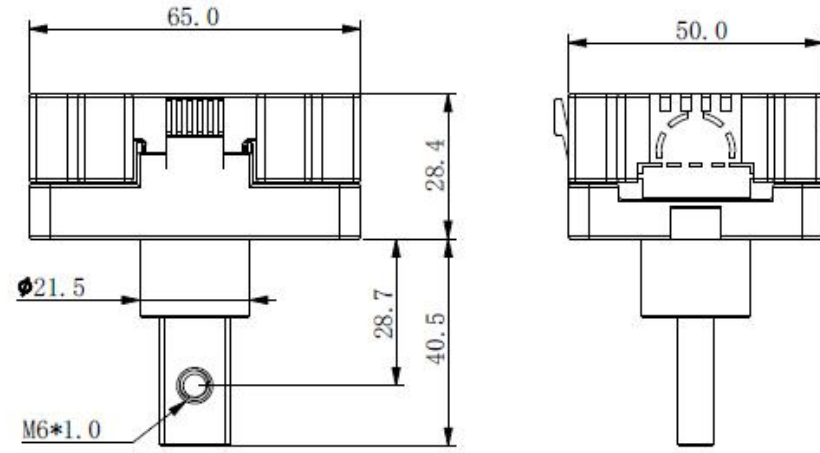


# CONNECTOR DIMENSIONS

## 300A Non-waterproof Version

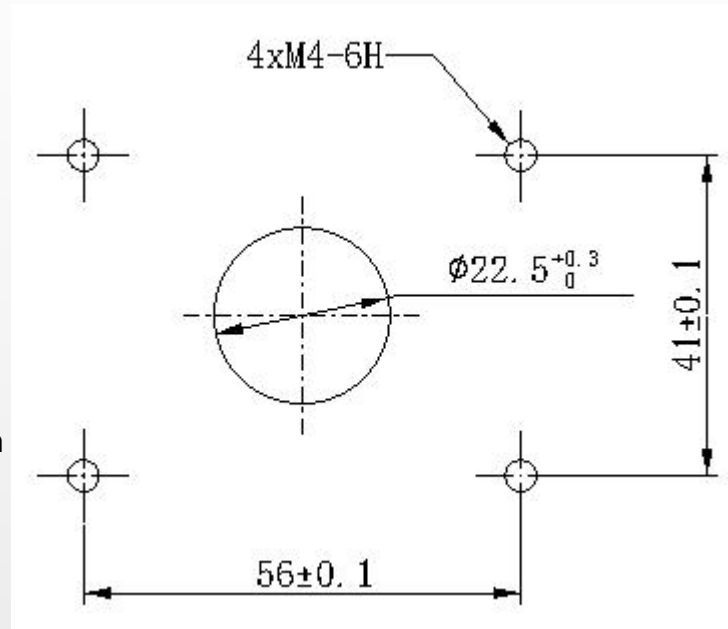


Model: GCS2-2-\*A (terminal 90°)



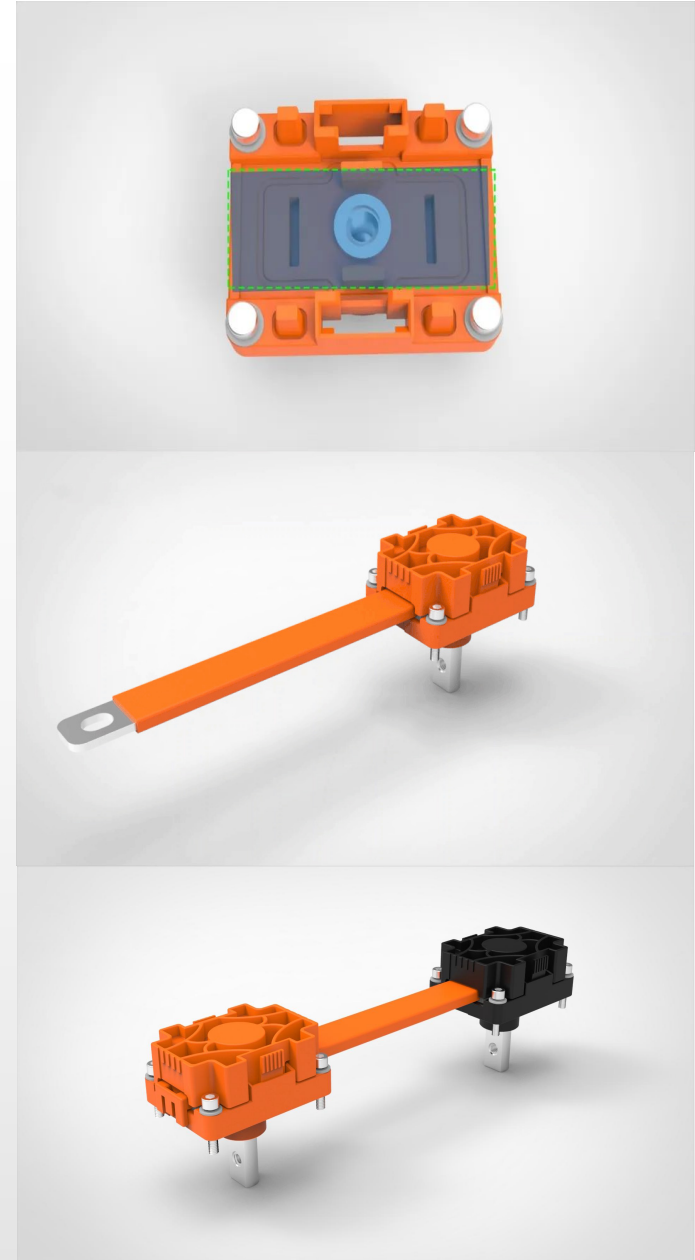
Model: GCS2-2-\*A-01 (terminal 180°)

# ➔ MOUNTING PANEL SIZE



panel size

The recommended thickness of the installation panel is 2.0mm  
Surface flatness is not greater than 0.1mm



# INSTALLATION



MSD





# Custom Solution Provider

Address:

2A, Building 2, Hongji Xindu, Guanxing East Road, Longhua District,  
Shenzhen, China

Email Address:

[ec@guchen.com](mailto:ec@guchen.com)

Website: [www.guchen-connector.com](http://www.guchen-connector.com)